

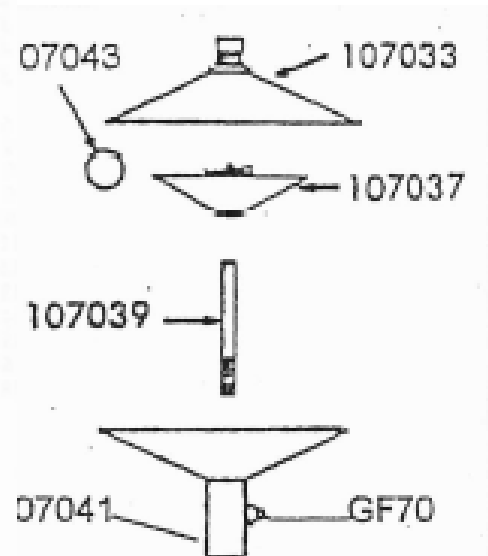
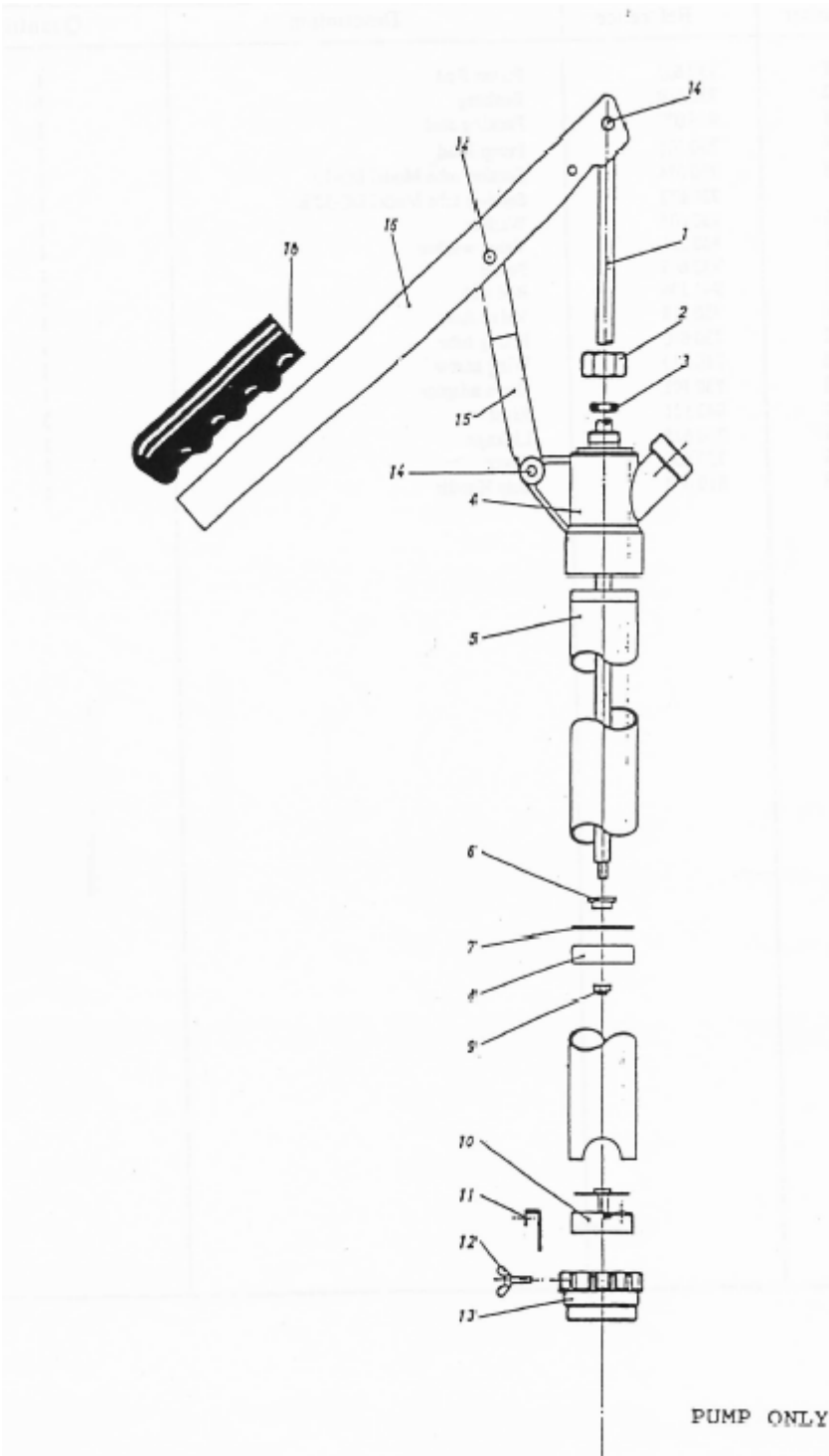


# Bearing Packer

Parts and Technical Service guide  
Guía de servicio técnico y recambio  
Guide d'instructions et pièces de rechange

Ref.: **1988 Bearing Packer**

## EXPLODED DRAWING



## Parts Listing

Number	Reference	Description	Quantity
1	730607	PISTON ROD	1
2	730210	BUSHING	1
3	946007	PACKING SEAL	1
4	730101	PUMP HEAD	1
5	730624	SUCTION TUBE 35#	1
5	740633	SUCTION TUBE 120#	1
6	730604	WASHER	1
7	830501	VALVE WASHER	1
8	730605	PISTON	1
9	941106	ROD NUT	1
10	730638	VALVE ASSY	1
11	730610	FIXING TUBE	1
12	940420	DISCONTINUED	1
13	360007	DRUM ADAPTER (120#)	1
14	943521	RIVET	3
15	730625	LINK	1
16	730606	LEVER	1
18	810600	RUBBER GRIP	1
	107033	DUST CAP	1
	107037	LOCKING CONE	1
	107039	INNER PERFORATED SHAFT	1
	107041	BASE CONE AND OUTER SHAFT	1
	107043	CONNECTING RING	1

## Specifications

This unit can accommodate a bearing up to six inches in diameter and greases up to NLGI #2.